

Pressure Reducing Valves Watts PR500



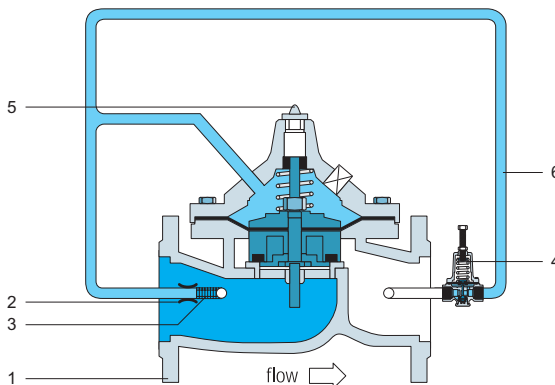
The pilot operated reducing valve PR500 reduces a higher upstream pressure to a constant lower downstream pressure. This very accurate valve is designed to operate with a minimum of maintenance. The only moving parts in the valve are the diaphragm

and the stem assembly, which are guided by an exchangeable bearing in the cover and the valve seat. The Watts PR500 is easy to install and adjust. It is available with flanges (DN50 - DN600) and thread-end connections (1/4" - 3").

 **WATTS**[®]
INDUSTRIES
Technology by nature

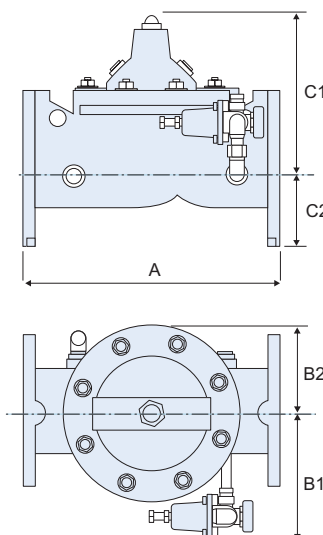


The pilot operated reducing valve PR500 reduces a higher upstream pressure to a constant lower downstream pressure. This very accurate valve is designed to operate with a minimum of maintenance. The only moving parts in the valve are the diaphragm and the stem assembly, which are guided by an exchangeable bearing in the cover and the valve seat. The Watts PR500 is easy to install and adjust. It is available with flanges (DN50 - DN600) and thread-end connections (1/4" - 3").

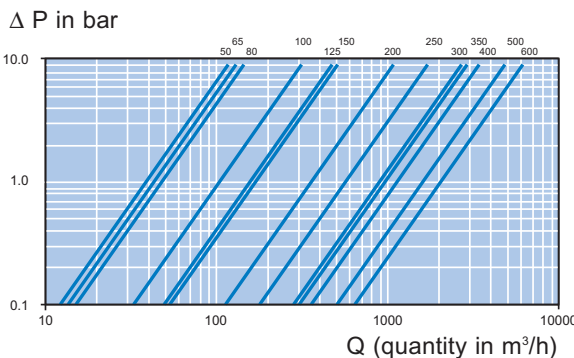


No.	name
1	Body/Main valve
2	Fixed orifice
3	Flow strainer
4	Pilot valve
5	Air vent
6	Flexible tubing

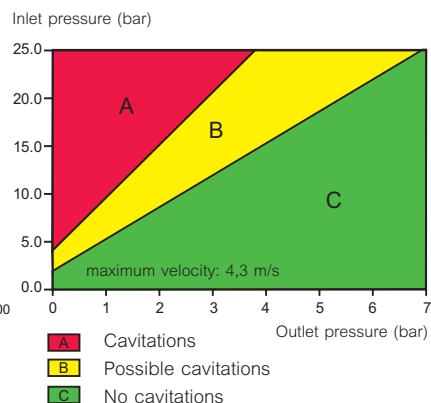
Dimensions



Pressure Loss Curve



Cavitation Curve



DN	PN	A	B1	B2	C1	C2	Kg
50	10/16/25	230	160	85	165	85	20
65/60	10/16/25	290	170	85	165	95	25
80	10/16/25	310	175	85	165	100	30
100	10/16	350	190	120	210	110	40
100	25	350	190	120	210	120	40
125	10/16	400	200	150	285	125	70
125	25	400	200	150	285	135	70
150	10/16	480	210	150	285	145	90
150	25	480	210	150	285	150	90
200	10	600	235	200	360	170	150
200	16	600	235	200	360	170	150
200	25	600	235	200	360	180	150
250	10	730	280	255	475	200	400
250	16	730	280	255	475	200	400
250	25	730	280	255	475	215	410

DN	PN	A	B1	B2	C1	C2	Kg
300	10	850	305	300	570	230	550
300	16	850	305	300	570	230	550
300	25	850	305	300	570	245	570
350	10	980	330	300	570	255	560
350	16	980	330	300	570	260	560
350	25	980	330	300	570	280	580
400	10	1100	360	355	700	285	1100
400	16	1100	360	355	700	290	1100
400	25	1100	360	355	700	310	1150
500	10	1250	420	405	800	335	1250
500	16	1250	420	405	800	360	1250
500	25	1250	420	405	800	365	1300
600	10	1450	460	455	850	390	1550
600	16	1450	460	455	850	420	1550
600	25	1450	460	455	850	425	1600

Max. temperature: 70 °C

The photographs and descriptions in this brochure are purely informational and in no way binding, Watts Industries reserves the right to make any technical or exterior changes deemed necessary to their products without prior notification.