

V912 Cast iron Y type strainer PN16

PN16, -10°C to 120°C 13bar at 220°C.

Raised flanges in accordance with BS EN 1092-2:1997 PN16

| SIZES | | | | | | | | |
|------------|-------|-------|-------|-------|-------|-------|-------|-------|
| Range | DN65 | DN80 | DN100 | DN125 | DN150 | DN200 | DN250 | DN300 |
| Order code | 15361 | 15362 | 15363 | 15364 | 15365 | 15366 | 15367 | 15368 |

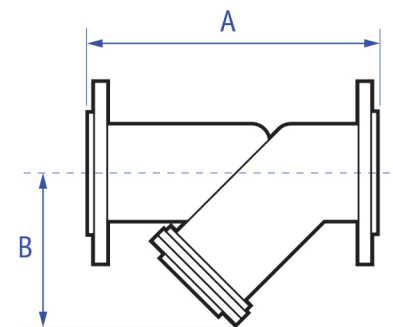
| DIMENSIONS (mm) | | | | | | | | |
|-----------------|-------|-------|-------|-------|-------|--------|--------|--------|
| A | 290 | 310 | 350 | 400 | 480 | 600 | 730 | 850 |
| B | 134 | 165 | 215 | 265 | 295 | 360 | 465 | 560 |
| Weight kg | 14.50 | 17.50 | 31.25 | 43.00 | 62.50 | 107.00 | 196.67 | 253.00 |

| FLOW RATES* | | | | | | | | |
|-------------|----|-----|-----|-----|-----|-----|------|------|
| Kv | 93 | 136 | 229 | 363 | 499 | 817 | 1361 | 1928 |

*Kv – flow rate in m³ per hour at a pressure drop of 1 bar.

| VALVE SUITABILITY | | | | | | | | |
|-------------------|-------|-----|-----|-----------|-----------------|---------------|------------|---|
| Steam | Water | Oil | Air | Gas Inert | Gas Combustible | Gas Corrosive | Gas Oxygen | |
| X | ✓ | X | X | X | X | X | X | X |

| MATERIAL SPECIFICATION | |
|------------------------|------------------|
| COMPONENT | MATERIAL |
| Body | Cast iron |
| Cap | Cast iron |
| Cover | Cast iron |
| Strainer | Stainless steel |
| Seal | Fibre TesnitBA-U |
| Screen | Stainless steel |
| Gasket | Teflon/graphite |
| Plug | Brass |



PRESSURE AND TEMPERATURE RATINGS

| Size DN65 to DN300 | Max. working pressure (bar) | | Test pressure (bar) | |
|--------------------------|-----------------------------|------------|---------------------|------|
| | Temp 120°C | Temp 220°C | Shell | Seat |
| | 16bar | 13bar | 24 | 17.6 |

| Size DN65 to DN300 | Max. working pressure (psi) | | Test pressure (psi) | |
|--------------------------|-----------------------------|------------|---------------------|-------|
| | Temp 248°F | Temp 248°F | Shell | Seat |
| | 232.1psi | 188.5psi | 348.1 | 253.8 |

Temperature range -10°C - +120°C.