

V906 Cast iron butterfly valve PN16

Semi lugged, to BS EN 593:2004, face to face dimensions to BS EN 558:2008

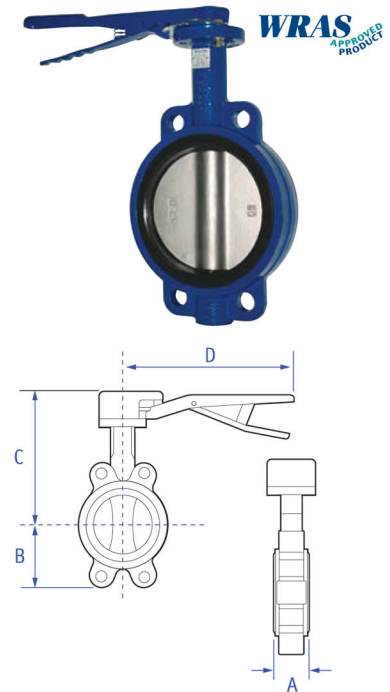
SIZES						
Range	DN65	DN80	DN100	DN125	DN150	DN200
Order code	15316	15317	15318	15319	15320	15321

DIMENSIONS (mm)						
A	46	46	52	56	56	60
B	70	89	106	120	132	164
C	181	187	211	226	239	293
D	200	200	290	290	290	450
Weight kg	4.40	5.00	6.10	8.00	9.60	15.10

FLOW RATES m ³ /h						
Kv	229.32	353.34	702.00	1195.74	1847.43	3669.12

VALVE SUITABILITY							
Steam	Water	Oil	Air	Gas Inert	Gas Combustible	Gas Corrosive	Gas Oxygen
X	✓	X	X	X	X	X	X

MATERIAL SPECIFICATION	
COMPONENT	MATERIAL
Body	Ductile iron
Shaft	Stainless steel
Disc	Stainless steel
Bushes up to 100mm	PTFE
Bushes up to 125mm	Gunmetal
'O' ring	EPDM
Liner	EPDM



PRESSURE AND TEMPERATURE RATINGS

Size	Max. working pressure (bar)		Test pressure (bar)	
	Temp 120°C	Temp 120°C	Shell	Seat
DN65 to DN300	16bar	16bar	24	17.6

Size	Max. working pressure (psi)		Test pressure (psi)	
	Temp 248°F	Temp 248°F	Shell	Seat
DN65 to DN300	232.1psi	232.1psi	348.1	253.8

Temperature range -10°C - +120°C.



Geared available in DN250 and DN300.